

**CE C30/ME C85, Section 2, Final Examination**

Open books and notes, online, 3 hours

Maximum of 3 one-sided pages per problem

Tuesday, May 12, 2020 (8-11am PST)

LAST NAME: \_\_\_\_\_

FIRST NAME: \_\_\_\_\_

LAST 4 DIGITS OF STUDENT ID #:    \_\_\_    \_\_\_    \_\_\_    \_\_\_

**BOX YOUR ANSWERS**

**NUMBER PAGES  
PER PROBLEM**  
Page 1.1, Page 1.2, ...  
Page 2.1, ...  
...

<b>Problem 1:</b>	<b>/15</b>
<b>Problem 2:</b>	<b>/20</b>
<b>Problem 3:</b>	<b>/15</b>
<b>Problem 4:</b>	<b>/20</b>
<b>Problem 5:</b>	<b>/15</b>
<b>Problem 6:</b>	<b>/15</b>
<hr/>	
<b>TOTAL:</b>	<b>/100</b>

**CE C30/ME C85, Section 2, Spring Semester 2020**

**Online Examinations Honor Code Statement**

LAST NAME: \_\_\_\_\_

FIRST NAME: \_\_\_\_\_

LAST 4 DIGITS OF STUDENT ID #:    \_\_\_    \_\_\_    \_\_\_    \_\_\_

**By signing below, I acknowledge that, following the earlier established and agreed rules for online examinations in this course:**

- (1) I have worked out this examination individually,**
- (2) I have not discussed nor communicated about any part of the exam with anybody, in any way, during the exam,**
- (3) I have complied with the time assigned to the exam and its submission, acknowledging that no late submissions are accepted, and**
- (4) The pages included in the PDF file that I am submitting form the totality of my exam, complying with the limitation of three one-sided pages maximum per problem.**

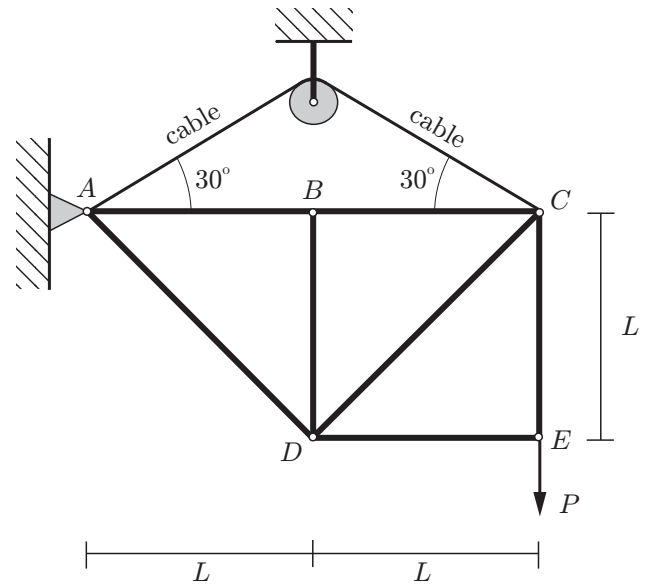
SIGNATURE: \_\_\_\_\_

DATE & TIME: \_\_\_\_\_

Please sign, date and upload with your examination  
as PDF to the **bcourses** website.

**Problem #1 (15%)**

The truss depicted in the figure is held by a single cable going through a pulley (which is free to rotate), connecting joints A and C as shown (at  $30^\circ$  at both joints). All the members of the truss have a  $a \times a$  square section and are made of a linear elastic material with young modulus  $E$ .



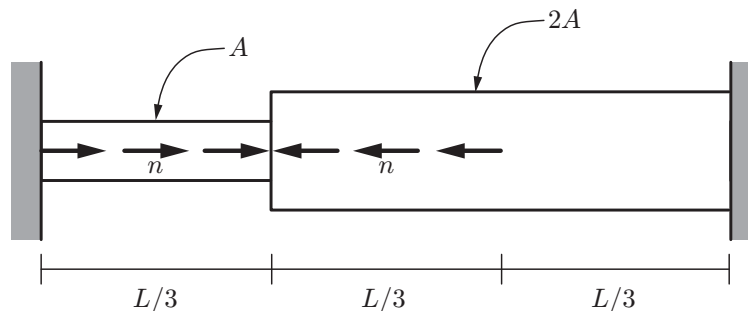
1. Determine the tension in the cable and the forces in all the members of the truss for the loading shown (a vertical force  $P$  at joint E).
2. Determine the maximum load  $P_{max}$  that can be applied so no member buckles.

**Remark:** Express your results in terms of  $P$ ,  $L$ ,  $a$  and  $E$ , as needed.

**Problem #2 (20%)**

A composite bar of total length  $L$  is made by welding together two bars of lengths  $L/3$  and  $2L/3$ , and cross section areas  $A$  and  $2A$ , respectively, as shown in the figure. The composite bar is loaded by constant distributed axial loads  $n$  (force/length) on opposite directions as shown, while kept attached to two rigid walls. The material can be considered to be isotropic linear elastic with Young modulus  $E$ . Determine:

1. The reactions at both ends.
2. The distribution of the axial stress along the composite bar (draw a plot with the characteristic values). Specify carefully the part that is in tension and compression.
3. The displacement of the connection between the two single bars. Specify clearly its direction.

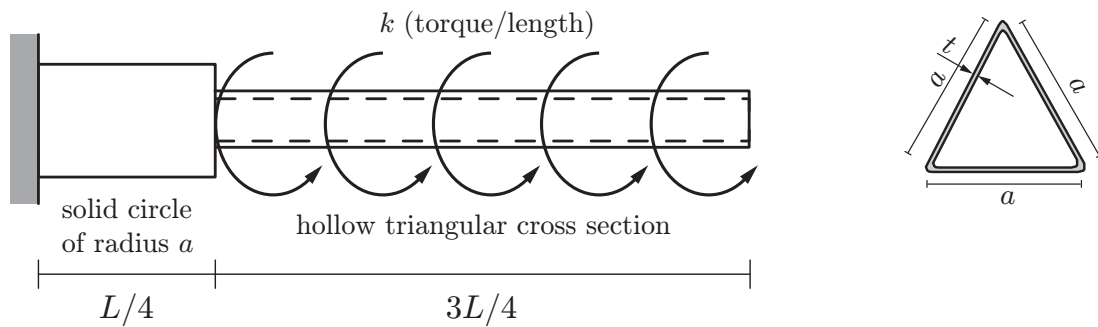


**Problem #3** (15%)

A shaft consists of a solid base of length  $L/4$  and circular cross section of radius  $a$ , with its remaining  $3L/4$  length having the hollow triangular cross section of thickness  $t \ll a$  as shown on the right. All parts are made of the same material, which can be considered isotropic linear elastic with shear modulus  $G$  up to the yield limit  $\tau_{yp}$  in shear. The shaft is subjected to a constant distributed torque  $k$  (torque/length) along its hollow part, while fixed at the opposite end, as shown in the left figure. Determine:

1. The angle of twist at the free end on the right while the shaft remains elastic.
2. The maximum value of  $k$  that can be applied before the shaft starts yielding.

**Remark:** Express your answers in terms of  $k$ ,  $L$ ,  $\tau_{yp}$ ,  $G$ ,  $a$  and  $t$ , as necessary.

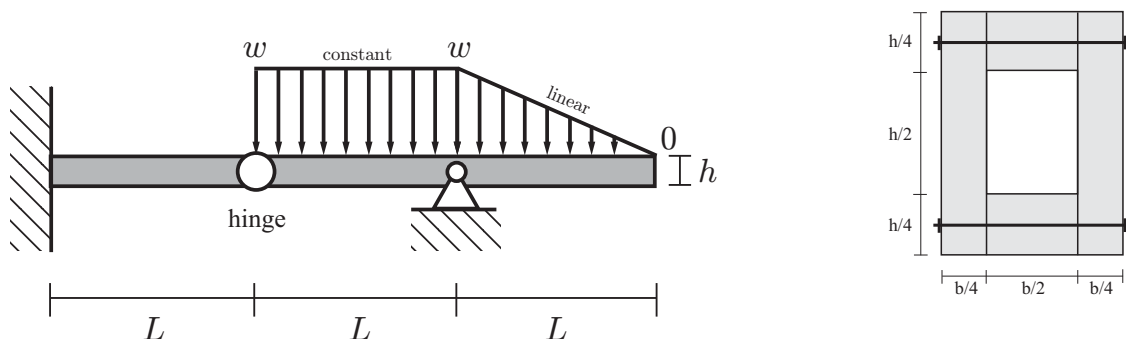


**Problem #4** (20%)

A beam is made by bolting together four pieces, leaving a hollow  $h \times b$  rectangular cross section as shown. The beam is loaded as depicted in the figure and can be considered to be made of an isotropic linear elastic material with Young modulus  $E$  and Poisson ratio  $\nu$ .

1. Draw carefully the bending moment and shear force diagrams (indicate clearly all the characteristic values).
2. Determine the maximum tensile and compressive stresses acting on a cross section.
3. If the bolts are to be located at a constant spacing along the beam, determine the maximum spacing if the bolts can only take a maximum force  $F_{max}^{bolt}$  in shear.

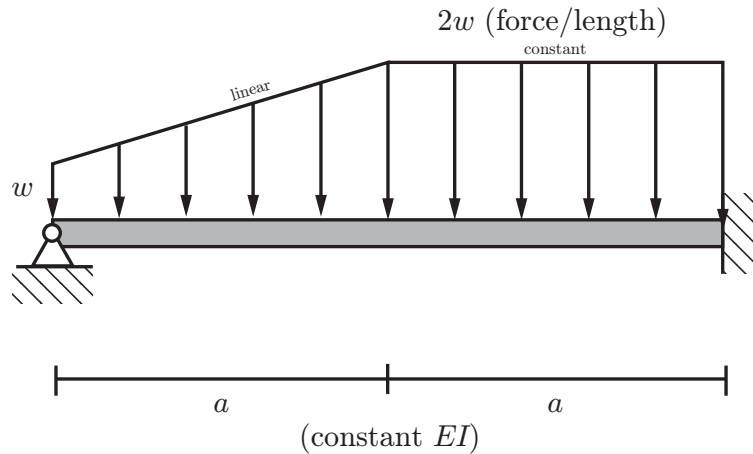
**Remark:** Express your results in terms of  $w$ ,  $h$ ,  $b$ ,  $L$ ,  $E$ ,  $\nu$  and  $F_{max}^{bolt}$ , as needed.



**Problem #5** (15%)

For the beam shown in the figure with its loading, determine:

1. The beam's deflection  $v(x)$ . Sketch the deflected shape of the beam.
2. The bending moment  $M(x)$  and transverse shear force  $V(x)$  diagrams. Plot your answer indicating characteristic values.
3. The reacting forces and moments at the supports. Indicate clearly their directions.



**Problem #6** (15%)

1. Sketch the Mohr circles for the state of stress sketched in the figure, with plane stress in the  $z$  direction (perpendicular to the paper). Determine the principal stresses and the planes where they act (sketch clearly a block oriented along these directions with the corresponding stresses).
2. Determine the relative change of thickness in the  $z$  direction if the material is isotropic linear elastic with Young modulus  $E = 200 \text{ GPa}$  and Poisson ratio  $\nu = 0.3$ . Indicate clearly if it stretches or contracts. (Assume the block is  $1 \times 1 \times 1 \text{ m}^3$  if you need the dimensions in your calculations).
3. If the stress  $\sigma_z$  starts varying while keeping the stress components in the  $x - y$  plane fixed, determine the possible range of variation before yielding occurs according to Tresca criterion with an uniaxial yield limit of  $\sigma_{yp} = 12 \text{ MPa}$ .

