

CE C30/ME C85, Section 2, Midterm Examination

Open books and notes, online, 1 hour

Maximum of 3 one-sided pages per problem

March 17, 2021

LAST NAME: _____

FIRST NAME: _____

LAST 4 DIGITS OF STUDENT ID #: ___ ___ ___ ___

BOX YOUR ANSWERS

**NUMBER PAGES
PER PROBLEM**
Page 1.1, Page 1.2, ...
Page 2.1, ...
...

Problem 1:	/40
Problem 2:	/25
Problem 3:	/35
<hr/>	
TOTAL:	/100

CE C30/ME C85, Section 2, Spring Semester 2021

Online Examinations Honor Code Statement

LAST NAME: _____

FIRST NAME: _____

LAST 4 DIGITS OF STUDENT ID #: ___ ___ ___ ___

By signing below, I acknowledge that, following the earlier established and agreed rules for online examinations in this course:

- (1) I have worked out this examination individually,**
- (2) I have not discussed nor communicated about any part of the exam with anybody, in any way, during the exam,**
- (3) I have complied with the time assigned to the exam and its submission, acknowledging that no late submissions are accepted, and**
- (4) The pages included in the PDF file that I am submitting form the totality of my exam, complying with the limitation of three one-sided pages maximum per problem.**

SIGNATURE: _____

DATE & TIME: _____

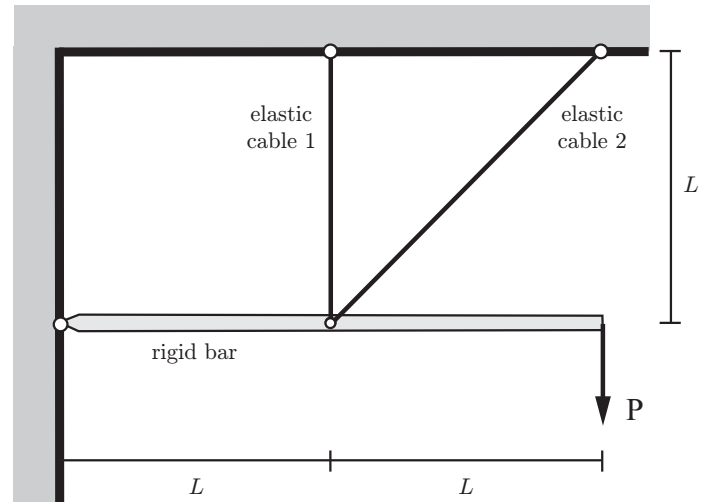
Please sign, date and upload with your examination
as PDF to the **bcourses** website.

Problem #1 (40%)

A rigid bar is held horizontally by two elastic cables as shown in the figure. The cables have the same Young modulus E and cross section area A . All connections are pinned, and all members can be considered weightless.

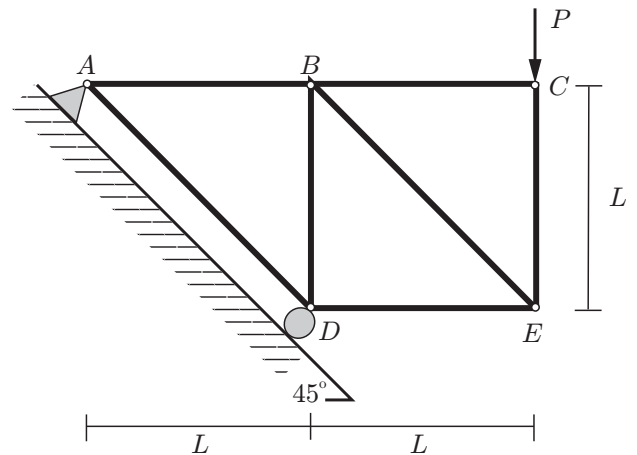
A vertical load P is applied at the right tip of the bar, as shown. Determine:

1. The forces in the cables.
2. The displacement of the right tip of the bar.



Problem #2 (25%)

1. Determine the forces in all the members in the truss of the figure when the vertical load of value P shown in the figure is applied. Indicate clearly if the member is in tension or compression, and identify all zero-force members, if any.
2. If all the members have the same $0.1 \times 0.1 \text{ m}^2$ square cross section, determine the maximum load value P that can be applied with a factor of safety of 1.5 if the material can only take 10 MPa in tension or compression.



Problem #3 (35%)

Draw the axial force, transversal shear force and bending moment diagrams for the beam shown in the figure. Indicate the characteristic values (min/max values, values at the ends and supports, slopes, linear/parabolic/cubic distributions,...).

