

**University of California at Berkeley**  
**Department of Physics**  
**Physics 8A, Spring 2008**

Final Exam  
May 20, 2008 5:00 PM

You will be given 170 minutes to work this exam. No books, but you may use a double-sided, handwritten note sheet no larger than an 8 1/2 by 11 sheet of paper. No electronics of any kind (calculator, cell phone, iPod, etc) are allowed.

Your description of the physics involved in a problem is worth significantly more than any numerical answer. Show all work, and take particular care to explain what you are doing. Write your answers directly on the exam, and if you have to use the back of a sheet make sure to put a note on the front. Do not use a blue book or scratch paper.

Each part is worth the number of points indicated. These should sum to 200 points. Setup and explanation are worth almost all of the points. Clearly state what you are doing and why. In particular, make sure that you explain what principles and conservation rules you are applying, and how they relate.

There are two pages of info *at the back*. You can tear them off and keep them separate if you'd like.

NAME: \_\_\_\_\_

SID NUMBER: \_\_\_\_\_

DISCUSSION SECTION NUMBER: \_\_\_\_\_

DISCUSSION SECTION DATE/TIME: \_\_\_\_\_

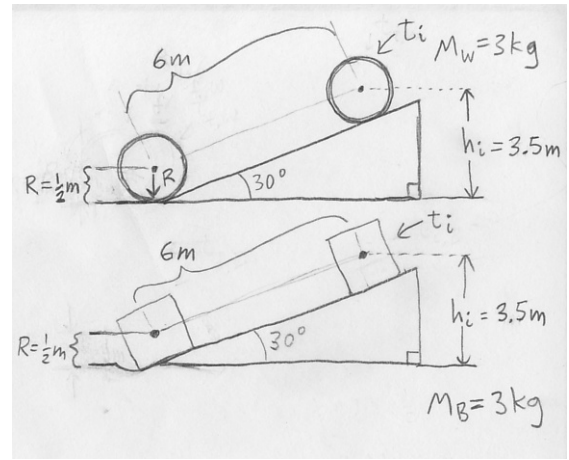
1	
2	
3	
4	
5	
6	
Total	

Read the problems carefully.  
Try to do all the problems.  
If you get stuck, go on to the next problem.  
Don't give up! Try to remain relaxed and work steadily.

Problem 1 (45points) Rolling vs. Sliding.

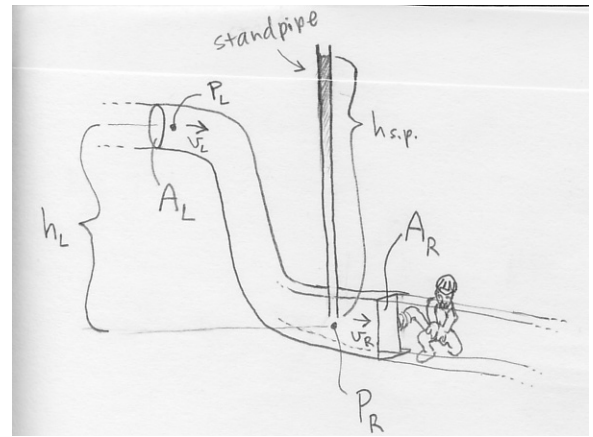
A 3 kg wheel of radius  $R = 0.5$  m rolls without slipping down a ramp that makes an angle of  $30^\circ$  with the ground. The wheel starts from rest with its center of mass at a height  $h_i = 3.5$  m above the ground. The ramp has a coefficient of kinetic friction  $\mu_k = 1/3$ . You may use  $g = 10$  m/s<sup>2</sup>,  $\sin(30^\circ) = 1/2$ , and  $\cos(30^\circ) = 0.9$ .

- How much gravitational potential energy does the wheel lose by the time it reaches the ground?
- What is the wheel's *total* kinetic energy (including rotational KE) when it reaches the ground?
- What is the relationship between the wheel's angular velocity,  $\omega$ , and its linear velocity,  $v$ ?
- If the wheel's moment of inertia is  $I = MR^2$ , then at any given time what fraction of the wheel's total kinetic energy is its linear kinetic energy?
- Now draw a free body diagram for a 3 kg *block* sliding down an identical ramp.
- What is the magnitude of the normal force on the block?
- What is the magnitude of the force of friction acting on the sliding block?
- How much work is done by friction on the block as it slides 6m along the ramp? Check signs.
- What is the block's kinetic energy at the bottom of the ramp? Is the wheel or block faster at the bottom?



Problem 2 (30 points) Water in a pipe.

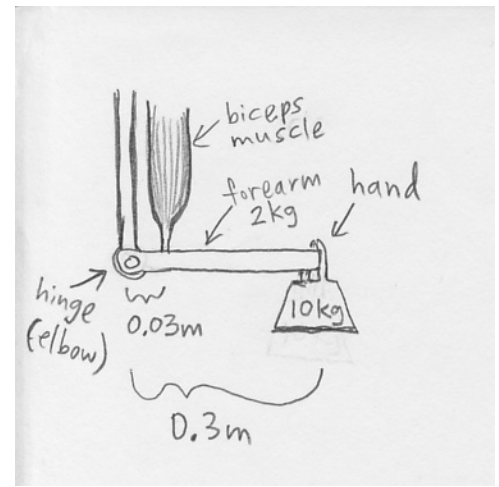
Water at a gauge pressure of  $P_L = 5 \times 10^4 \text{ N/m}^2$  is flowing with speed  $v_L = 10 \text{ m/s}$  into the left end of a pipe, which is elevated above the right side of the pipe by  $h = 15 \text{ m}$ . The left end of the pipe has a cross-sectional area  $A_L = 1 \text{ m}^2$ ; but the width of the right side of the pipe can be adjusted to get a range of values for  $A_R$ . A “standpipe” is inserted into the right side of the pipe. No water is flowing into or out of the standpipe, which is open to the atmosphere on the top. The density of water is  $1000 \text{ kg/m}^3$ . You may ignore viscous drag forces.



- What volume of water passes through the pipe in 10 seconds?
- If  $A_R = A_L$ , then how fast is water flowing on the right side of the pipe?
- In that case, what is the pressure,  $P_R$ , on the right side? Please state whether you are using gauge or absolute pressure.
- In that case, how high will the water level be in the stand pipe?
- Now a workman adjusts the width of the pipe on the right side so that  $P_L = P_R$ . Find the water speed,  $v_R$ , that would be required on the right side in order to make  $P_L = P_R$ .
- In order to achieve this, what value for  $A_R$  is required to make  $P_L = P_R$ ?

Problem 3 (35 points) Arm curls and torque.

A simple model of an arm is depicted at the right. It consists of a vertical bar connected via a hinge at the elbow to a second bar representing the forearm, which is  $L_{fa} = 0.3$  m long and has mass  $M_{fa} = 2$  kg equally distributed across its length. The biceps muscle connects to the forearm 0.03 m from the hinge, and the arm is supporting a  $M_w = 10$  kg weight. The moment of inertia of a bar about one end is  $I = ML^2/3$ .



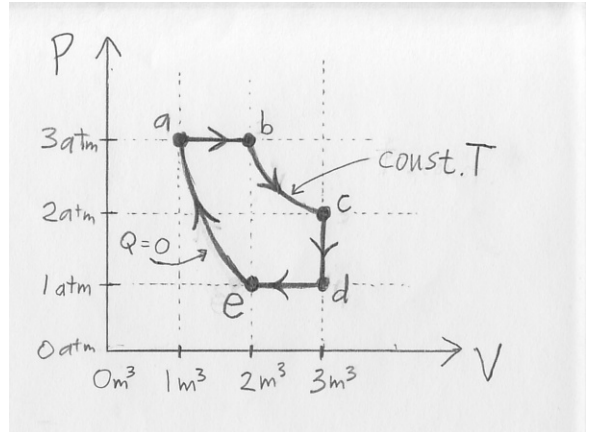
- Make a free body diagram of the forearm, and make a second, extended diagram showing where each of the forces is acting on the forearm.
- Using the hinge as your pivot point, what is the torque due to the 10 kg weight? Please indicate your convention for positive torque.
- What force must be exerted by the biceps muscle on the forearm to keep the arm from moving?
- What is the magnitude and direction of the force on the forearm from the vertical bar?
- If the 10 kg weight is let go, what would the angular acceleration of the forearm be immediately after the weight is dropped assuming the biceps continue to exert the same force as before?
- At that moment, what would the vertical acceleration of the hand be?

Problem 4 (25 points) Harmonic oscillator.

A block with a mass of  $M = 2$  kg rests on a frictionless horizontal surface and it is attached to a (massless & frictionless) spring with spring constant  $k = 18$  N/m. At  $t = 0$  s, the block is released at rest from position  $\Delta x = 2$  m from its equilibrium position,  $\Delta x = 0$ . You may use  $\pi \approx 3$ .

- a) How much potential energy is stored in the spring at  $t = 0$ ?
- b) What is the kinetic energy of the mass right when it reaches the equilibrium position?
- c) What is the speed of the mass as it reaches the equilibrium position?
- d) What is the angular frequency,  $\omega$ , of the block's oscillation?
- e) At what time does the block first cross the equilibrium position?

Problem 5 (45 points)  $PV$  diagram of a peculiar heat engine. Consider a heat engine that undergoes the cycle shown in the  $PV$  diagram at the right. It consists of a (non-monoatomic) ideal gas that undergoes a constant pressure expansion from point  $a$  to point  $b$ , a constant temperature expansion from  $b$  to  $c$ , a constant volume path from  $c$  to  $d$ , a constant pressure compression from  $d$  to  $e$ , and an adiabatic ( $Q_{in} = 0$ ) compression from  $e$  back to  $a$ .  $1\text{atm} = 10^5\text{ Pa} = 10^5\text{ N/m}^2$ .



- How much work is done *by* the gas along the path from point  $a$  to  $b$ ? Please check your signs.
- What is the change in energy in the gas along the path from point  $b$  to  $c$ ? Explain your reasoning.
- If  $Q_{in} = 2.4 \times 10^5\text{ J}$  along the path from point  $b$  to  $c$ , what is the work done *by* the gas from  $b$  to  $c$ ?
- How much work is done *by* the gas from point  $c$  to  $d$ ?
- How much work is done *by* the gas along the path  $d \rightarrow e$ ?
- If the change in energy,  $\Delta E_{e \rightarrow a}$ , from point  $e$  to point  $a$  is  $1.7 \times 10^5\text{ J}$ , then how much work is done *by* the gas along this path?
- How much net work is done *by* the engine during one full cycle ( $a \rightarrow b \rightarrow c \rightarrow d \rightarrow e \rightarrow a$ )?

$$\vec{v} = d\vec{x}/dt \quad \vec{a} = d\vec{v}/dt \quad x(t) = x_0 + v_0 t + \frac{1}{2} a_0 t^2 \quad v(t) = v_0 + a_0 t \quad v^2(x) = v_0^2 + 2ax$$

$$\sum \vec{F} = m\vec{a} \quad F = mv^2/R \quad F = mg \quad \vec{P} = \sum m_i \vec{v}_i \quad g = 10 \text{ m/s}^2$$

$$x_{cm} = \frac{m_1 x_1 + m_2 x_2}{m_1 + m_2} = \frac{\sum m_i x_i}{\sum m_i} \quad v_{cm} = \frac{m_1 v_1 + m_2 v_2}{m_1 + m_2} = \frac{\sum m_i v_i}{\sum m_i}$$

$$F = \mu_k N \quad F \leq \mu_s N \quad W = \vec{F} \cdot \vec{x} \quad \vec{P} = m\vec{v} \quad D = \frac{1}{2} C \rho A v^2 \quad b = l \cos \theta \quad a^2 + b^2 = c^2$$

$$\sin 45^\circ = \cos 45^\circ = 0.7; \quad \cos 60^\circ = \sin 30^\circ = 0.5; \quad \sin 60^\circ = \cos 30^\circ = 0.9$$

$$W = Fx \quad P = dW/dt \quad K = \frac{1}{2} mv^2 \quad U = mgh \quad U = \frac{1}{2} kx^2 \quad D = \frac{1}{2} C \rho A v^2$$

$$\Delta K = K_f - K_i \quad \Delta U = U_f - U_i \quad W = \Delta U + \Delta K + \Delta E_{th} + \Delta E_{int}$$

$$v_{1f} = \frac{m_1 - m_2}{m_1 + m_2} v_{1i} + \frac{2m_2}{m_1 + m_2} v_{2i} \quad v_{2f} = \frac{2m_1}{m_1 + m_2} v_{1i} + \frac{m_2 - m_1}{m_1 + m_2} v_{2i}$$

$$\sum \vec{\tau} = I\vec{\alpha} \quad \vec{\tau} = \vec{r} \times \vec{F} \quad \tau = rF \sin \theta \quad I' = I + mr^2$$

$$L = rps \sin \theta \quad L = I\omega \quad L = mr^2 \omega \quad E = \frac{1}{2} I\omega^2 \quad E = \frac{L^2}{2I}$$

Rotational Inertias for radius R or length L:

sphere about axis:  $(2/5)MR^2$

spherical shell about axis:  $(2/3)MR^2$

disk about axis:  $(1/2)MR^2$

hoop about axis:  $MR^2$

rod about perpendicular at midpoint:  $ML^2/12$

rod about perpendicular at end:  $ML^2/3$

$$\frac{1}{2} \rho v^2 + \rho gh + P = \text{constant} \quad v_1 A_1 = v_2 A_2 \quad \omega = \sqrt{\frac{k}{m}} \quad \omega = \sqrt{\frac{g}{l}}$$

Properties of water at standard temperature and pressure:

$$\begin{array}{ll} \text{density} = 1000 \text{ kg / m}^3 & \text{heat of fusion} = 333 \text{ kJ/kg} \\ C_p = 4190 \text{ J / (kg * K)} & \text{heat of vaporization} = 2260 \text{ kJ/kg} \end{array}$$

$$y(x,t) = y(x-vt) = A \sin(kx - \omega t) = A \sin\left(\frac{2\pi}{\lambda}x - \frac{2\pi}{T}t\right) \quad y(t) = x_0 \cos \omega t + v_0 \sin \omega t$$

$$I = \frac{P}{A} \propto \text{amplitude}^2 \quad A[\sin \omega_1 t + \sin \omega_2 t] = 2A \sin\left(\frac{1}{2}(\omega_1 + \omega_2)t\right) \sin\left(\frac{1}{2}(\omega_1 - \omega_2)t\right)$$

$$\text{Moving Source: } f' = \frac{f}{1 \pm v_s/v} \quad \text{Moving Observer: } f' = (1 \pm v_o/v)f$$

$$v = \frac{\lambda}{T} \quad k = \frac{2\pi}{\lambda} \quad \omega = 2\pi f = \frac{2\pi}{T} \quad v = \sqrt{\frac{F_T}{\mu}}$$

$$Q = cm\Delta T = C\Delta T \quad P = Q/t = kA\Delta T/L \quad \Delta E = Q_{in} + W_{on} \quad E = \left(\frac{3}{2}\right)NkT$$

$$Q = L_f m$$

$$p_1 V_1^\gamma = p_2 V_2^\gamma \quad \int_{T_1}^{T_2} \frac{dt}{T} = \ln \frac{T_2}{T_1} \quad W = \pm P\Delta V \quad PV = NkT = nRT$$

$$0 \text{ K} = -273 \text{ }^\circ\text{C}$$

$$\text{Boltzman constant } k = 1.38 \times 10^{-23} \text{ J/K}$$

$$\text{Avogadro's number } N_A = 6.02 \times 10^{23} \text{ /mol}$$

$$\text{Universal gas constant } R = 8.31 \text{ J/(mol K)}$$

$$\text{Stefan-Boltzman constant } \sigma = 5.67 \times 10^{-8} \text{ W/(m}^2\text{K}^4\text{)}$$

$$\Delta S = \frac{Q_{in}}{T} = k \ln \frac{\Omega_{final}}{\Omega_{initial}} \quad \sum_{all} \Delta S \geq 0$$



Blank page