

Engineering 25

Fall Semester 2016

Midterm Exam

60 Minutes

Closed Book Exam

Problem #1 40 points

The pictorial of two objects are shown in the figure below.

- a) Sketch an isometric view of the result when Object A is rotated through the follow sequence of rotations:

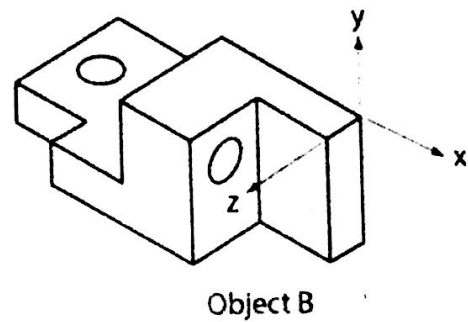
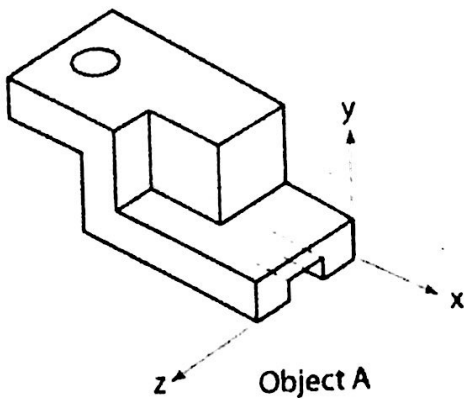
$Z+ ; X+ ; Y+$

- b) Using the result of problem A, now draw a new isometric view after it has gone to the following rotations:

$Y- ; X- ; Z-$

- c) Sketch an isometric view of the result when Object B is rotated through the following sequence of rotations:

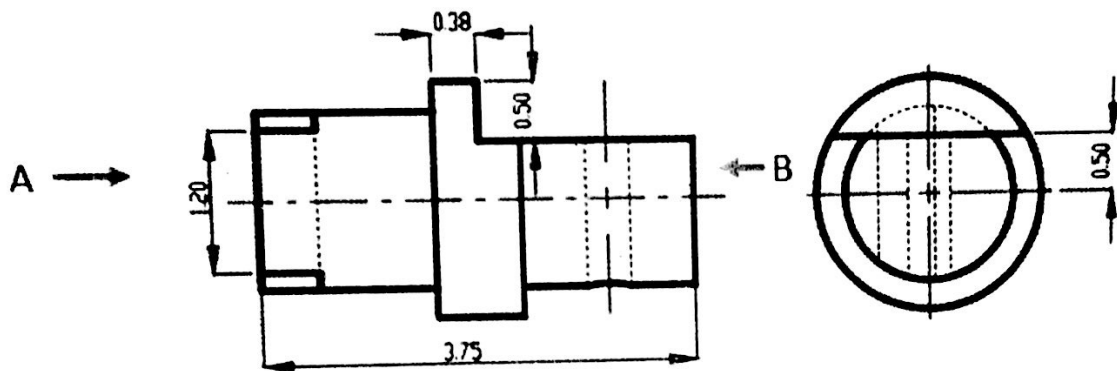
$Y+ ; Y+ ; Z- ; Z- ; X+ ; X+$



Problem #2 30 points

The 3rd angle view of an object is shown in the figure below.

- a) Sketch the isometric view of the object as viewed from point A.
- b) Sketch the isometric view of the object as viewed from point B.
- c) Complete the bottom view of the object



Problem #3 30 points

- a) Sketch the isometric view of the coded plan as viewed from point B.
- b) Sketch the isometric view of the coded plan as viewed from point D.

