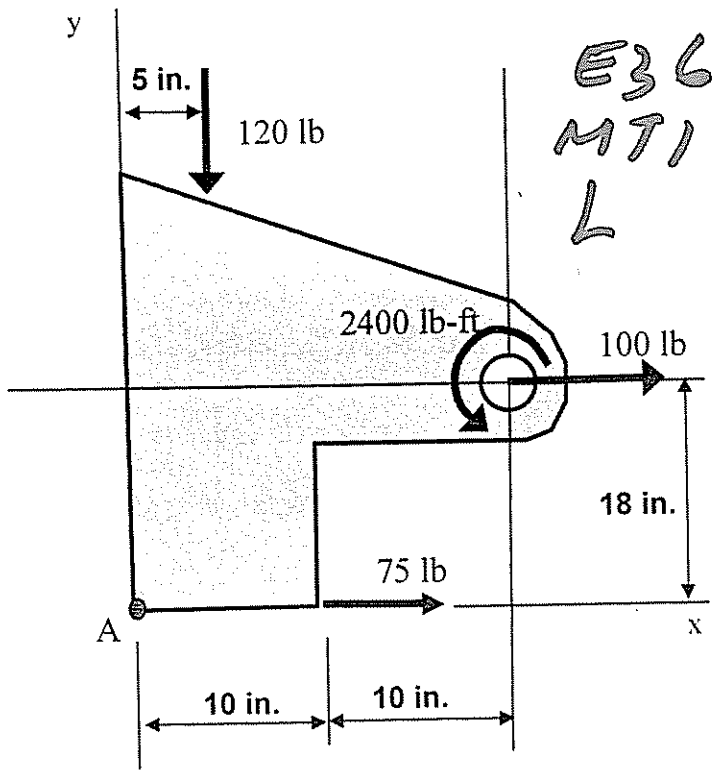


**PROBLEM 1 (35 POINTS)**

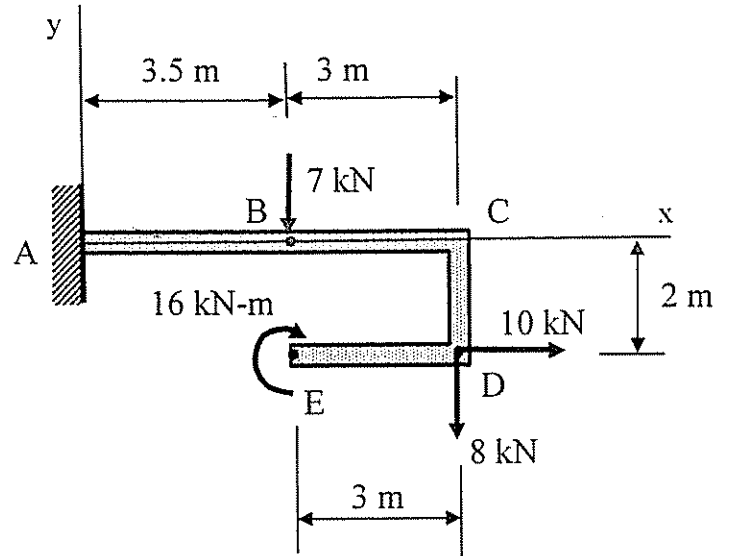
The bracket shown in the figure is subjected to three forces and a couple. Represent this force system by a single force and a couple at Point A and enter your answers inside the boxes below.



20

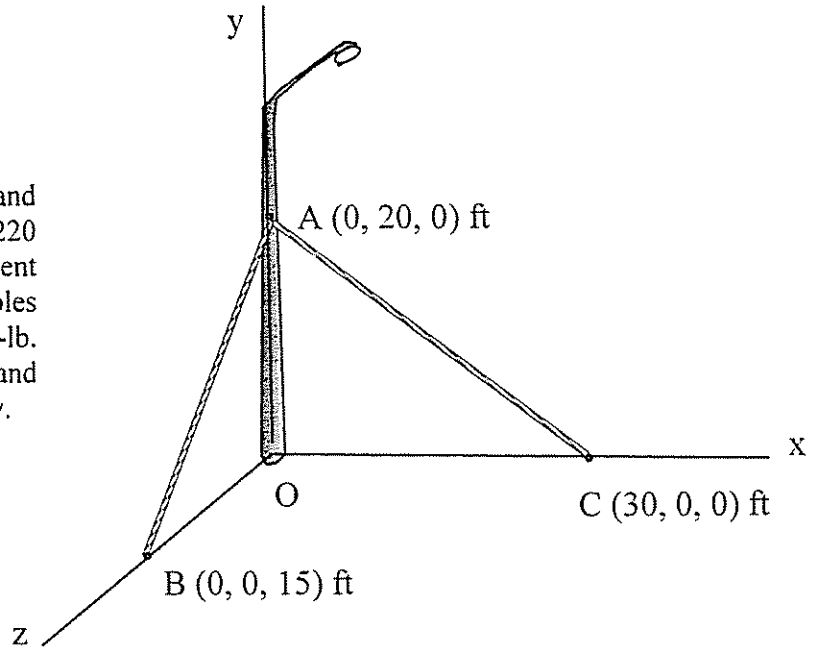
**PROBLEM 2 (30 POINTS)**

Determine the reactions at the fixed support A and enter your answers inside the boxes below.



**PROBLEM 3 (35 POINTS)**

A light pole is braced by cables AB and AC. The tension force in cable AB is 220 pounds and the magnitude of the moment exerted on the pole by the two cables about the base O of the pole is 3000 ft-lb. Calculate tension in the cable AC and enter your answer inside the box below.



Answer: T = \_\_\_\_\_ lb